

SMD Power Inductors ~ SDH5022 SERIES

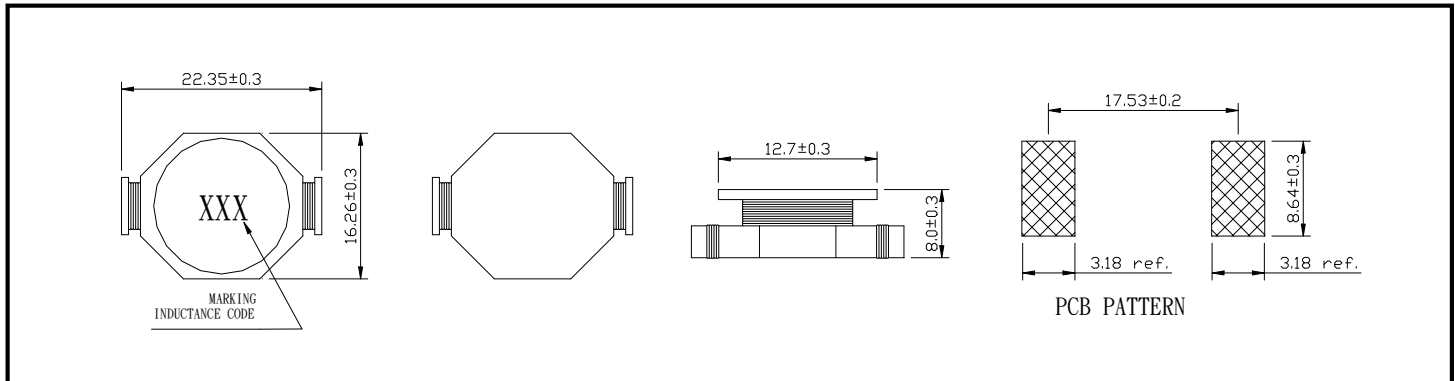


PART NUMBERING SYSTEM

SDH	5022	—	680M	—	LF
TYPE	DIMENSIONS		INDUCTANCE		LEAD FREE

SHAPES AND DIMENSIONS

UNIT : mm



Description

- Miniature surface mount design and Maximun power density
- Inductance range from 0.78 uH to 1000 uH
- Current range from 1 A to 30 A
- Suitable for large current
- Ideal for DC-DC converter inductor applications

Environmental Data

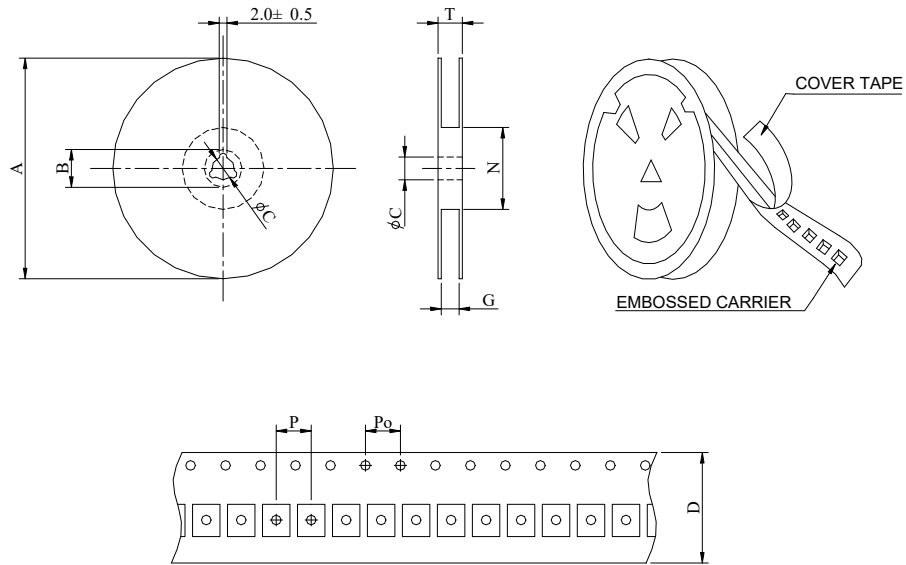
- Storage temperature range : - 40°C to + 125°C
- Operating temperature range : - 40°C to + 125°C (Range in application specific)

SPECIFICATION TABLE

PART NUMBER	INDUCTANCE (μ H)	DCR(m Ω) (Max.)	Isat (A) (Max.)	Irms (A) (Max.)	SRF(MHz) (Ref.)
SDH5022-R78M-LF	0.78 \pm 20%	2.6	30	15	156
SDH5022-1R5M-LF	1.5 \pm 20%	4.0	25	15	100
SDH5022-2R2M-LF	2.2 \pm 20%	6.1	20	12	75
SDH5022-3R3M-LF	3.3 \pm 20%	8.6	17	10	60
SDH5022-3R9M-LF	3.9 \pm 20%	10	15	9.0	55
SDH5022-4R7M-LF	4.7 \pm 20%	14	13	8.4	40
SDH5022-6R0M-LF	6.0 \pm 20%	17	12	7.5	35
SDH5022-7R8M-LF	7.8 \pm 20%	18	11	7.5	35
SDH5022-100M-LF	10 \pm 20%	26	10	6.0	28
SDH5022-120M-LF	12 \pm 20%	28	8.5	4.4	26
SDH5022-150M-LF	15 \pm 20%	32	8.0	4.4	20
SDH5022-220M-LF	22 \pm 20%	47	7.0	3.5	20
SDH5022-330M-LF	33 \pm 20%	66	5.5	3.0	15
SDH5022-470M-LF	47 \pm 20%	86	4.5	2.6	9
SDH5022-680M-LF	68 \pm 20%	130	3.5	2.3	8
SDH5022-101M-LF	100 \pm 20%	190	3.0	1.8	7
SDH5022-151M-LF	150 \pm 20%	250	2.6	1.5	6
SDH5022-221M-LF	220 \pm 20%	380	2.4	1.2	5
SDH5022-331M-LF	330 \pm 20%	560	1.9	1.0	4
SDH5022-471M-LF	470 \pm 20%	850	1.4	0.82	3
SDH5022-681M-LF	680 \pm 20%	1100	1.2	0.72	2.5
SDH5022-102M-LF	1000 \pm 20%	1800	1.0	0.56	2

- Inductance tested at 100 kHz, 0.1 Vrms
- Isat: DC current at which the inductance drops 10% (typ) from its value without current.
- Irms: Average current for 40°C temperature rise from 25°C ambient.
- Operating temperature range -40°C to +125°C.
- Electrical specifications at 25°C

PACKAGING SPECIFICATION



SERIES	STAYLE	Q'TY (PCS)	DIMENSIONS (m/m)								
			A	B±0.8	C±0.5	D	G ⁺⁰	N ⁰	P	Po	T
SDH5022	13-32	250	330	21	13	32	34	100	24	4	38.4